

COTSWOLD MECHANICAL LTD

CMW8000



Cotswold Mechanical CMW8000

CMW 8000 Series Main Features

- Micro Processor Control System, with 100 Product Memory
- Precision Weighing System
- Latest Technology Control System
- Stainless Steel Construction
- Stainless Steel Contact Parts in Mirror Polished, Rigidised 304 or 316
- Integrated Product Settling Feature
- Weight Range 1 Kg to 50 kg
- Speed: Up To 12 Weighing's per Minute
- Integral interface signals to control both upstream and downstream equipment
- Optional In-Feed Level Control

Products:

Include: Snack Foods, Pet Foods, Confectionary, Prepared Vegetables, Frozen Foods, Horticultural Products and Aggregate Products



COTSWOLD MECHANICAL LTD

Unit 4, Chancel Close, Eastern Avenue, Gloucester, GL4 3SN

TEL: (01452) 309944

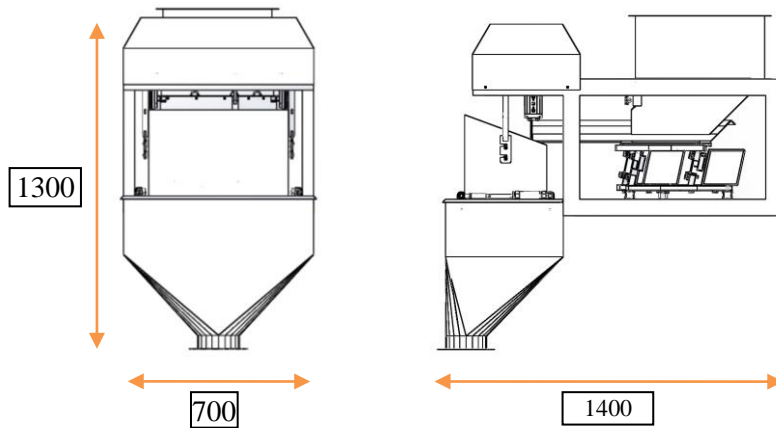
FAX: (01452) 306644

<http://www.cotsmech.co.uk>

Email: enquiries@cotsmech.co.uk

COTSWOLD MECHANICAL LTD

CMW8000



CMW8000	(Typical Machine)
Power Requirements	230 Vac 1 Phase 50 Hz 8 Amp 1840 w – 2 Kw – 3 kVA.
Air Consumption	Approximately 15 Litres per Minute @ 5 Bar (60 PSI)
Approximate Dimensions	L 1400mm W 700mm H 1300mm
Weight	200 Kg

The majority of food contact parts of all weighing machines have been designed and built in Grade 304/316, Food Quality Stainless Steel. Their construction is such that all seam welds are continuous, crevice free & dressed clean to eliminate product retention. Gating contact parts are of FDA Approved, FQ Nitrile Rubber construction.

Furthermore, the machinery is designed & built wherever possible in accordance with:
 The following transposed harmonised European standards
 BS EN ISO 12100:2010 safety of machinery – basic concepts, general principles for design.
 EN ISO 13857:2008 safety of machinery – safety distances to prevent danger zones being reached by the upper limbs
 EN349:1993+A1 2008 safety of machinery – minimum gaps to avoid crushing of parts of the body
 EN13850:2005 + BS EN 60947-5-5 safety of machinery – emergency stop equipment, functional aspects – principles for design
 BS EN 60204-1:2006 + A1 2009 safety of machinery – electrical equipment of machines – specification for general requirements
 NEN-EC-IEC 61000-6-4: 2007:Generic Emissions standard and Generic Immunity standard:
 Industrial environments

In addition this machinery has been designed and manufactured in accordance with:
 British Standard PD 5304:2005 Safety of Machinery
 The Plastics Materials and Articles in contact with Food Regulations 2011

COTSWOLD MECHANICAL LTD
 Unit 4, Chancel Close, Eastern Avenue, Gloucester, GL4 3SN
 TEL: (01452) 309944 FAX: (01452) 306644

<http://www.cotsmech.co.uk>

Email: enquiries@cotsmech.co.uk

Cotswold Mechanical CMW8000